



Data sheet, pneumatic actuator APD - 032

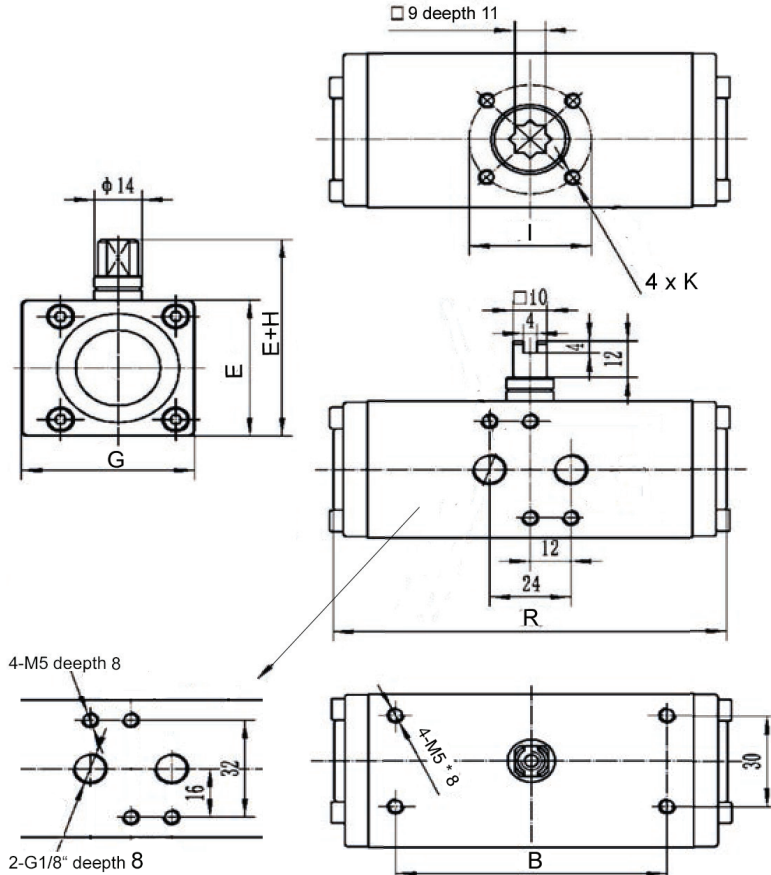


Table of dimensions

Actuator type	B	E	G	E+H	I	K	R	S
APD - 032	80	45	51	65	36	M5x8	116	-

Torque-table double-acting, type APD (Nm)

Actuator type	Control pressure Pst (bar)							
	2	2,5	3	4	5	6	7	8
APD - 032	3,1	3,8	4,8	6,1	7,6	9,2	10,7	12,2

Weight, air consumption, switch times: Double-acting, type APD, single-acting, type APS

Actuator type	Weight (kg)	Volume (l)	Switch time (sek.)	Ambient temperature	
				Standard	High-temp.
APD - 032	0,51	0,04	0,5	-20° to +80°C	-15° to +150°C

*Quoted switch times are guidelines for a double-stroke at 5 bar control pressure and at 50% rated loading.
 With high valve actuating speeds potentially dangerous large braking forces can arise in the actuator end positions.
 Tip: Throttle the exhaust air or select a larger actuator.

Ordering code

APD	-	032	/	90	-	V09	-	H
Mode of operation D = Double		Type / size		Pivo- ting-angle		Pinion-ty- pe		Assem- bly-posi- tion