

Data sheet, pneumatic actuator APD / APS – 060

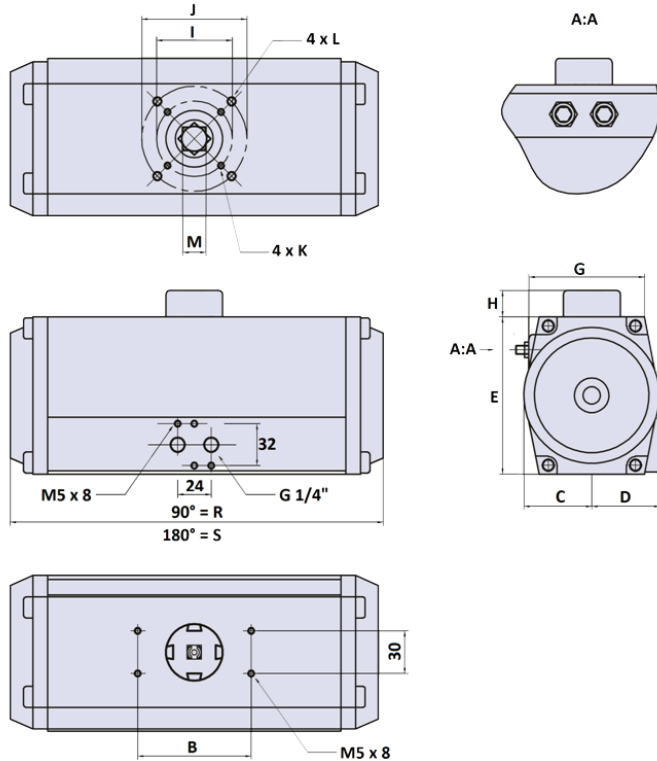


Table of dimensions

Actuator type	B	C	D	E	G	H	I	J	K	L	M x depth	R	S
APD/APS-060	80	36	47	88	66	20	50	70	M6x10	M8x13	14 x 18	168	243

Torque-table double-acting, type APD (Nm)

Actuator type	Control pressure Pst (bar)										
	2	2,5	3	3,5	4	4,5	5	5,5	6	7	8
APD - 060	14	18	22	25	29	32	36	40	43	50	58

Torque-table single-acting, type APS (Nm)

Actuator type	No. springs	Pneumatic applied torque Md (Nm) at minimum control pressure Pst (bar)																					
		Md F (Nm)		2		2,5		3		3,5		4		4,5		5		5,5		6		7	
		min	max	min	max	min	max	min	max	min	max	min	max	min	max	min	max	min	max	min	max		
APS - 060	4	5,4	8,3	6,1	9,0	9,7	12,6																
	5	6,8	10,4	4,0	7,6	7,6	11,2	11,2	14,8														
	6	8,2	12,5			5,5	9,8	9,1	13,4	12,7	17												
	7	9,6	14,6					7	12	10,6	15,6	14,2	19,2										
	8	10,9	16,7							8,5	14,3	12,1	17,9	16	21,5								
	9	12,3	20,9									10	16,5	14	20	17	23,7						
	10	13,7	20,9											11	18,7	15	22,3	19	26				
	11	15,0	22,9												13	21	17	24,6	20	28,2			
	12	16,4	25,0													14	23	18	26,8	25,4	34		

Weight, air consumption, switch times: Double-acting, type APD, single-acting, type APS

Actuator type	Weight (kg)	Volume (l)	Switch time (sek.)	Ambient temperature	
				Standard	High-temp.
APD -060	2,03	0,43	1,2	-35 bis +80°C	-15° bis +150°C
APS -060	2,42	0,20	2,7		

*Quoted switch times are guidelines for a double-stroke at 5 bar control pressure and at 50% rated loading.

With high valve actuating speeds potentially dangerous large braking forces can arise in the actuator end positions.

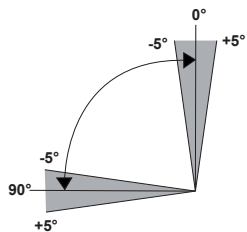
Tip: Throttle the exhaust air or select a larger actuator.

Ordering code

APD - 060 / 090 - V14 - H

APS - 060 / 090 - 06* - V14 - H

* The number of springs (4 up to 12 pcs.) must be matched to the control pressure beforehand.



End position adjustment

The pivoting angle can be adjusted in both end positions with the adjustment screws in a pressure free condition by between +5° and -5°. The lock-nuts ensure that the new position is secured.