

Data sheet, pneumatic actuator APD / APS – 090

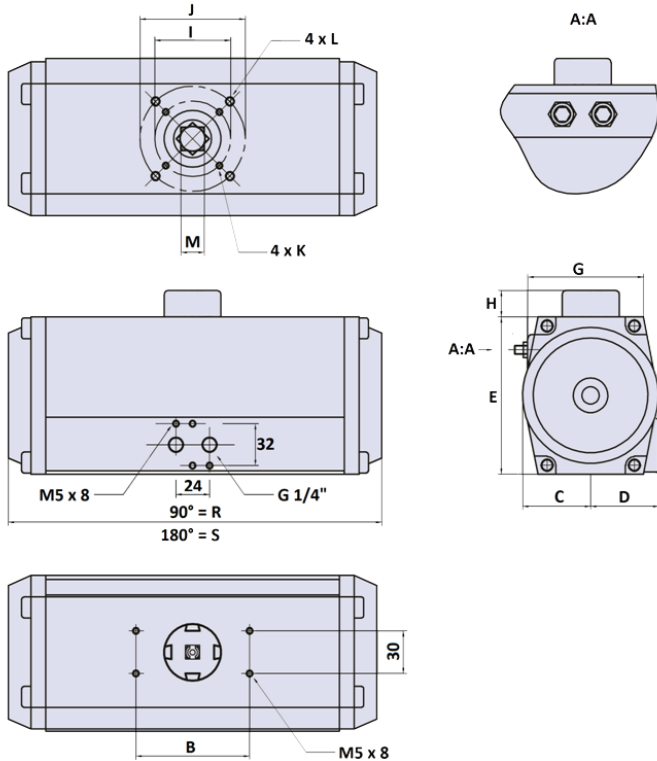


Table of dimensions

Actuator type	B	C	D	E	G	H	I	J	K	L	M x depth	R	S
APD/APS-090	80	52	55	120	86	20	50	70	M6x10	M8x13	17 x 21	262	362

Torque-table double-acting, type APD (Nm)

Actuator type	Control pressure Pst (bar)										
	2	2,5	3	3,5	4	4,5	5	5,5	6	7	8
APD - 090	45	57	68	79	91	102	114	125	136	159	182

Torque-table single-acting, type APS (Nm)

Actuator type	No. springs	Pneumatic applied torque Md (Nm) at minimum control pressure Pst (bar)																						
		Md F (Nm)		2		2,5		3		3,5		4		4,5		5		5,5		6		7		
		min	max	min	max	min	max	min	max	min	max	min	max	min	max	min	max	min	max	min	max			
APS - 090	4	18,6	27,5	17,9	26,8	29,2	38,1																	
	5	23,3	34,4	11,0	22,1	22,4	33,5	33,7	44,8															
	6	28,0	41,0			15,8	28,8	27,1	40,1	38,5	51,5													
	7	32,7	48,1					20,0	35,4	31,4	46,8	42,7	58,1											
	8	37,3	55,0							24,5	42,2	35,8	53,5	47,2	64,9									
	9	42,0	61,9									28,9	48,8	40,3	60,2	51,6	71,5							
	10	46,7	68,7											33,5	55,5	44,8	66,8	56,2	78,2					
	11	51,4	75,6													37,9	62,1	49,3	73,5	60,6	84,8			
	12	56,0	82,5															42,4	68,9	53,7	80,2	76,4	102,9	

Weight, air consumption, switch times: Double-acting, type APD, single-acting, type APS

Actuator type	Weight (kg)	Volume (l)	Switch time (sek.)	Ambient temperature	
				Standard	High-temp.
APD -090	4,60	1,53	1,90	-35 bis +80°C	-15° bis +150°C
APS -090	5,22	0,62	3,00		

*Quoted switch times are guidelines for a double-stroke at 5 bar control pressure and at 50% rated loading.

With high valve actuating speeds potentially dangerous large braking forces can arise in the actuator end positions.

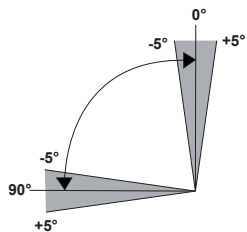
Tip: Throttle the exhaust air or select a larger actuator.

Ordering code

APD - 090 / 090 - V46 - H

APS - 090 / 090 - 06* - V46 - H

* The number of springs (4 up to 12 pcs.) must be matched to the control pressure beforehand.



End position adjustment

The pivoting angle can be adjusted in both end positions with the adjustment screws in a pressure free condition by between +5° and -5°. The lock-nuts ensure that the new position is secured.