

Data sheet, pneumatic actuator APD / APS – 110

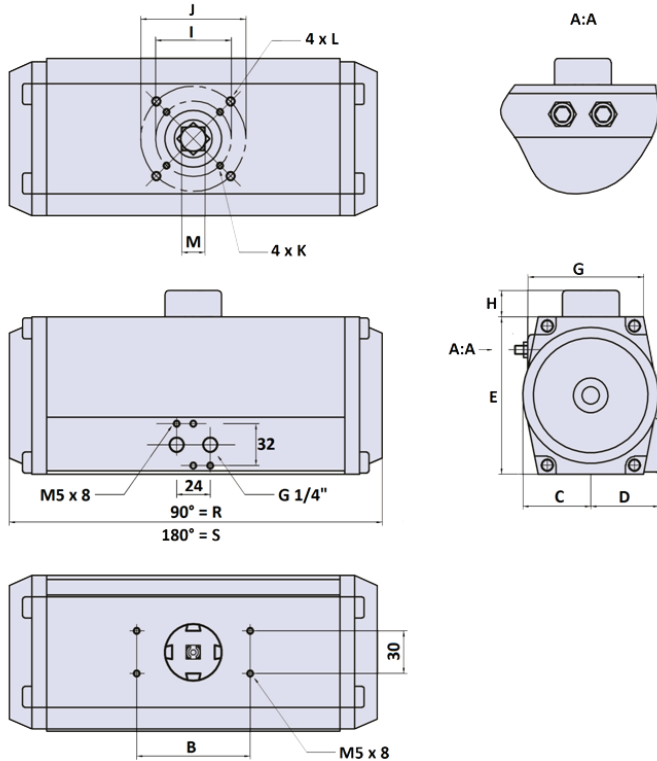


Table of dimensions

| Actuator type | B  | C    | D  | E   | G  | H  | I  | J   | K     | L      | M x depth | R   | S   |
|---------------|----|------|----|-----|----|----|----|-----|-------|--------|-----------|-----|-----|
| APD/APS-110   | 80 | 57,5 | 64 | 133 | 97 | 20 | 70 | 102 | M8x13 | M10x16 | 22 x 26   | 268 | 386 |

Torque-table double-acting, type APD (Nm)

| Actuator type | Control pressure Pst (bar) |     |    |     |     |     |     |     |     |     |     |
|---------------|----------------------------|-----|----|-----|-----|-----|-----|-----|-----|-----|-----|
|               | 2                          | 2,5 | 3  | 3,5 | 4   | 4,5 | 5   | 5,5 | 6   | 7   | 8   |
| APD - 110     | 66                         | 82  | 99 | 115 | 132 | 148 | 165 | 181 | 197 | 230 | 263 |

Torque-table single-acting, type APS (Nm)

| Actuator type | No. springs | Md F (Nm)  | Pneumatic applied torque Md (Nm) at minimum control pressure Pst (bar) |      |      |      |      |      |      |      |      |      |      |      |      |       |       |       |       |       |       |     |  |  |
|---------------|-------------|------------|--|------|------|------|------|------|------|------|------|------|------|------|------|-------|-------|-------|-------|-------|-------|-----|--|--|
|               |             |            | 2  |      | 2,5  |      | 3    |      | 3,5  |      | 4    |      | 4,5  |      | 5    |       | 5,5   |       | 6     |       | 7     |     |  |  |
|               |             |            | min  | max  | min  | max  | min  | max  | min  | max  | min  | max  | min  | max  | min  | max   | min   | max   | min   | max   | min   | max |  |  |
| APS - 110     | 4           | 25,3 39,4  | 26,4   | 40,5 | 42,9 | 57,0 |      |      |      |      |      |      |      |      |      |       |       |       |       |       |       |     |  |  |
|               | 5           | 31,6 49,2  | 16,6   | 34,2 | 33,1 | 50,7 | 49,5 | 67,1 |      |      |      |      |      |      |      |       |       |       |       |       |       |     |  |  |
|               | 6           | 38,0 59,1  |  |      | 23,2 | 44,3 | 39,6 | 60,7 | 56,1 | 77,2 |      |      |      |      |      |       |       |       |       |       |       |     |  |  |
|               | 7           | 44,3 69,9  |  |      |      |      | 28,8 | 54,4 | 45,3 | 70,9 | 61,7 | 87,3 |      |      |      |       |       |       |       |       |       |     |  |  |
|               | 8           | 50,6 78,7  |  |      |      |      |      |      | 36,5 | 64,6 | 52,9 | 81,0 | 69,4 | 97,5 |      |       |       |       |       |       |       |     |  |  |
|               | 9           | 56,9 88,6  |  |      |      |      |      |      |      |      | 43,0 | 74,7 | 59,5 | 91,2 | 75,9 | 107,6 |       |       |       |       |       |     |  |  |
|               | 10          | 63,3 98,4  |  |      |      |      |      |      |      |      |      |      | 49,7 | 84,8 | 66,1 | 101,2 | 82,6  | 117,7 |       |       |       |     |  |  |
|               | 11          | 69,6 108,3 |  |      |      |      |      |      |      |      |      |      |      |      | 56,2 | 94,9  | 72,7  | 111,4 | 89,1  | 127,8 |       |     |  |  |
|               | 12          | 75,9 118,1 |  |      |      |      |      |      |      |      |      |      |      |      |      | 62,9  | 105,1 | 79,3  | 121,5 | 112,2 | 154,4 |     |  |  |

Weight, air consumption, switch times: Double-acting, type APD, single-acting, type APS

| Actuator type | Weight (kg) | Volume (l) | Switch time (sek.) | Ambient temperature |                 |
|---------------|-------------|------------|--------------------|---------------------|-----------------|
|               |             |            |                    | Standard            | High-temp.      |
| APD -110      | 6,77        | 2,12       | 2,60               | -35 bis +80°C       | -15° bis +150°C |
| APS -110      | 7,85        | 0,94       | 3,30               |                     |                 |

\*Quoted switch times are guidelines for a double-stroke at 5 bar control pressure and at 50% rated loading.  
 With high valve actuating speeds potentially dangerous large braking forces can arise in the actuator end positions.  
 Tip: Throttle the exhaust air or select a larger actuator.

Ordering code

**APD - 110 / 090 - V22 - H**  
**APS - 110 / 090 - 06\* - V22 - H**  
 \* The number of springs ( 4 up to 12 pcs. ) must be matched to the control pressure beforehand.

