

Data sheet, pneumatic actuator APD / APS – 140

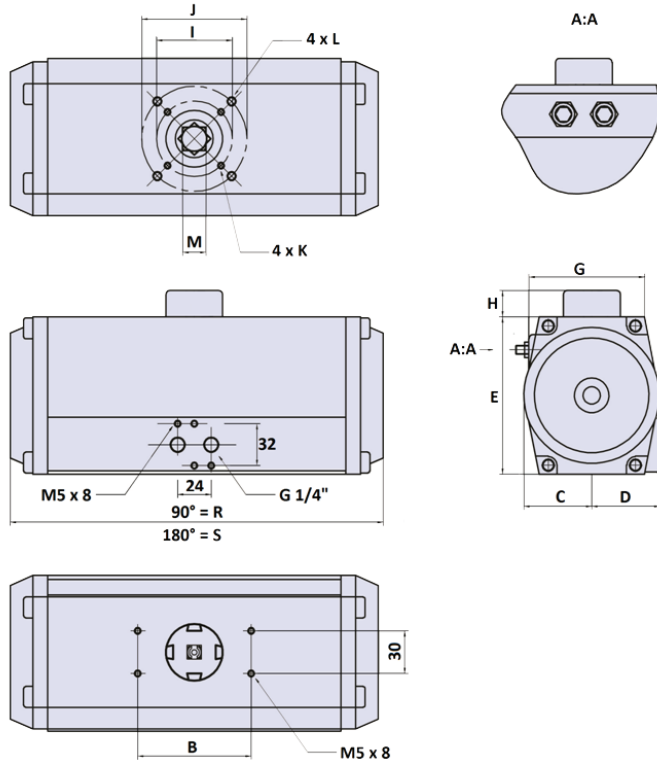


Table of dimensions

Actuator type	B	C	D	E	G	H	I	J	K	L	M x depth	R	S
APD/APS-140	130	76	77	172	119,5	30	102	125	M10x16	M12x20	27x31	390	565

Torque-table double-acting, type APD (Nm)

Actuator type	Control pressure Pst (bar)										
	2	2,5	3	3,5	4	4,5	5	5,5	6	7	8
APD - 140	175	219	263	307	351	395	439	482	526	614	702

Torque-table single-acting, type APS (Nm)

Actuator type	No. springs	Md F (Nm)	Pneumatic applied torque Md (Nm) at minimum control pressure Pst (bar)																			
			2		2,5		3		3,5		4		4,5		5		5,5		6		7	
			min	max	min	max	min	max	min	max	min	max	min	max	min	max	min	max	min	max	min	max
APS - 140	4	68,6 / 103,2	72 / 107	116 / 151																		
	5	85,8 / 129,0	46 / 90	90 / 134	134 / 177																	
	6	102,9 / 154,8		65 / 116	108 / 160	152 / 204																
	7	120,1 / 180,5			83 / 143	127 / 187	170 / 231															
	8	137,3 / 206,3				101 / 170	145 / 214	188 / 257														
	9	154,4 / 232,1					119 / 196	163 / 240	206 / 284													
	10	171,6 / 257,9						137 / 223	181 / 267	225 / 311												
	11	188,7 / 283,7							155 / 250	199 / 294	243 / 338											
	12	205,9 / 309,5								173 / 277	217 / 320	304 / 408										

Weight, air consumption, switch times: Double-acting, type APD, single-acting, type APS

Actuator type	Weight (kg)	Volume (l)	Switch time (sek.)	Ambient temperature	
				Standard	High-temp.
APD -140	13,25	5,63	4,60	-35 bis +80°C	-15° bis +150°C
APS -140	15,55	2,43	4,70		

*Quoted switch times are guidelines for a double-stroke at 5 bar control pressure and at 50% rated loading.
 With high valve actuating speeds potentially dangerous large braking forces can arise in the actuator end positions.
 Tip: Throttle the exhaust air or select a larger actuator.

Ordering code

APD - 140 / 090 - V27 - H
APS - 140 / 090 - 06* - V27 - H
* The number of springs (4 up to 12 pcs.) must be matched to the control pressure beforehand.

