

Data sheet, pneumatic actuator APD / APS – 160

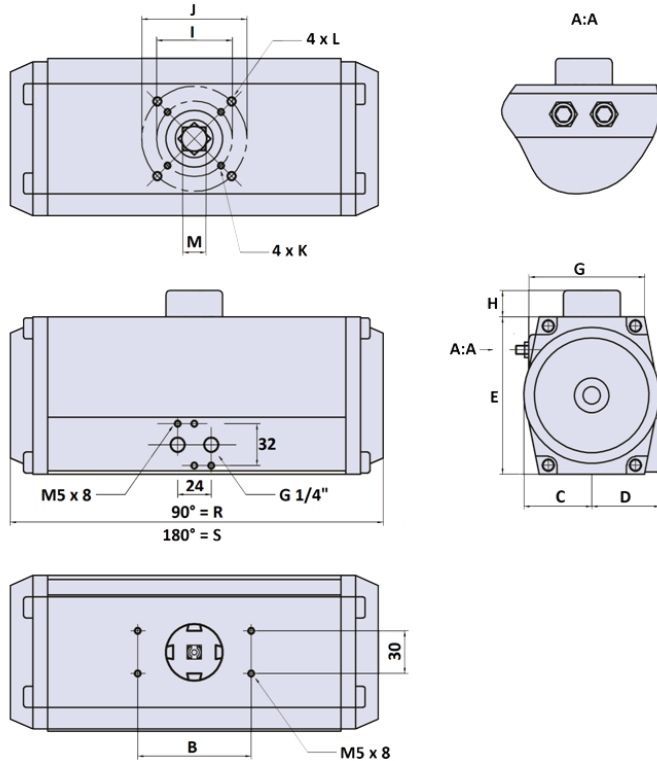


Table of dimensions

Actuator type	B	C	D	E	G	H	I	J	K	L	M x depth	R	S
APD/APS-160	130	88	88	197	140	30	102	125	M10x16	M12x20	27x31	458	652

Torque-table double-acting, type APD (Nm)

Actuator type	Control pressure Pst (bar)											
	2	2,5	3	3,5	4	4,5	5	5,5	6	7	8	
APD - 160	267	334	401	468	534	601	668	735	802	935	1069	

Torque-table single-acting, type APS (Nm)

Actuator type	No. springs	Md F (Nm)	Pneumatic applied torque Md (Nm) at minimum control pressure Pst (bar)																			
			2		2,5		3		3,5		4		4,5		5		5,5		6		7	
			min	max	min	max	min	max	min	max	min	max	min	max	min	max	min	max	min	max	min	max
APS - 160	4	112 / 167	101 / 155	167 / 222																		
	5	140 / 208	59 / 128	126 / 194	192 / 261																	
	6	168 / 250		84 / 166	151 / 233	218 / 300																
	7	196 / 292			109 / 205	176 / 272	242 / 338															
	8	223 / 333				135 / 245	201 / 311	268 / 378														
	9	251 / 375					159 / 283	226 / 350	293 / 417													
	10	279 / 417						184 / 322	251 / 389	318 / 456												
	11	307 / 458							210 / 361	277 / 428	344 / 495											
	12	335 / 500								235 / 400	302 / 467	435 / 600										

Weight, air consumption, switch times: Double-acting, type APD, single-acting, type APS

Actuator type	Weight (kg)	Volume (l)	Switch time (sek.)	Ambient temperature	
				Standard	High-temp.
APD - 160	20,14	8,68	6,50	-35 bis +80°C	-15° bis +150°C
APS - 160	24	3,65	4,85		

*Quoted switch times are guidelines for a double-stroke at 5 bar control pressure and at 50% rated loading.
With high valve actuating speeds potentially dangerous large braking forces can arise in the actuator end positions.
Tip: Throttle the exhaust air or select a larger actuator.

Ordering code

APD - 160 / 090 - V27 - H
APS - 160 / 090 - 06* - V27 - H
 * The number of springs (4 up to 12 pcs.) must be matched to the control pressure beforehand.

