

Data sheet, pneumatic actuator APD / APS – 190

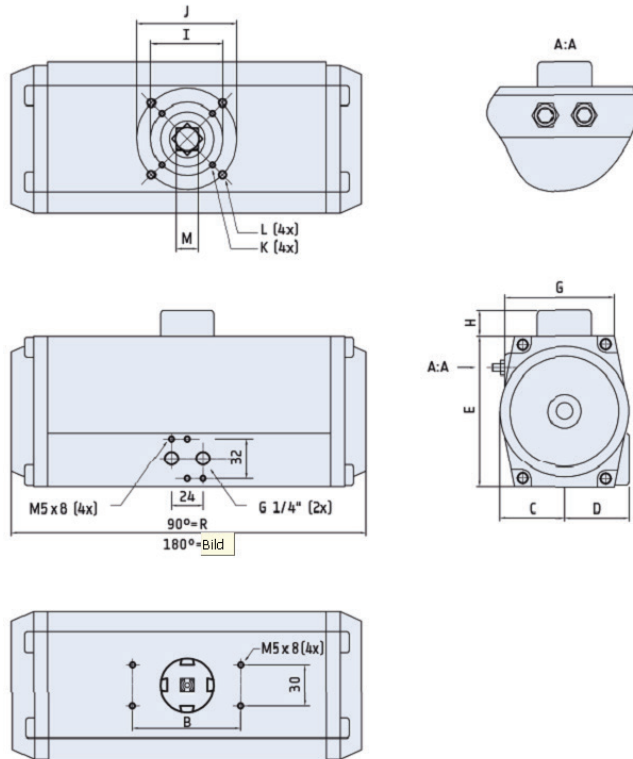


Table of dimensions

Actuator type	B	C	D	E	G	H	I	J	K	L	M x depth	R	S
APD/APS-190	130	103	101	230	153,5	30	-	140	-	M16x25	36x40	528	753

Torque-table double-acting, type APD (Nm)

Actuator type	Control pressure Pst (bar)											
	2	2,5	3	3,5	4	4,5	5	5,5	6	7	8	
APD - 190	431	539	646	754	862	969	1077	1185	1292	1508	1723	

Torque-table single-acting, type APS (Nm)

Actuator type	No. springs	Md F (Nm)	Pneumatic applied torque Md (Nm) at minimum control pressure Pst (bar)																			
			2		2,5		3		3,5		4		4,5		5		5,5		6		7	
		min	max	min	max	min	max	min	max	min	max	min	max	min	max	min	max	min	max	min	max	
APS - 190	4	152	234	196	279	304	386															
	5	190	293	138	241	245	348	353	456													
	6	227	352			186	311	294	419	402	527											
	7	265	410					236	381	344	489	452	596									
	8	303	469							285	451	392	558	500	666							
	9	341	527									334	520	442	628	550	736					
	10	379	586											383	590	491	698	599	806			
	11	417	645													432	660	540	768	647	875	
	12	455	703														482	730	589	837	805	1053

Weight, air consumption, switch times: Double-acting, type APD, single-acting, type APS

Actuator type	Weight (kg)	Volume (l)	Switch time (sek.)	Ambient temperature	
				Standard	High-temp.
APD -190	31,3	13,80	8,00	-35 bis +80°C	-15° bis +150°C
APS -190	35,25	5,90	5,85		

\*Quoted switch times are guidelines for a double-stroke at 5 bar control pressure and at 50% rated loading.  
 With high valve actuating speeds potentially dangerous large braking forces can arise in the actuator end positions.  
 Tip: Throttle the exhaust air or select a larger actuator.

Ordering code

<b>APD - 190 / 090 - V36 - H</b>
<b>APS - 190 / 090 - 06* - V36 - H</b>
* The number of springs ( 4 up to 12 pcs. ) must be matched to the control pressure beforehand.

