



Data sheet, pneumatic actuator APD / APS – 240

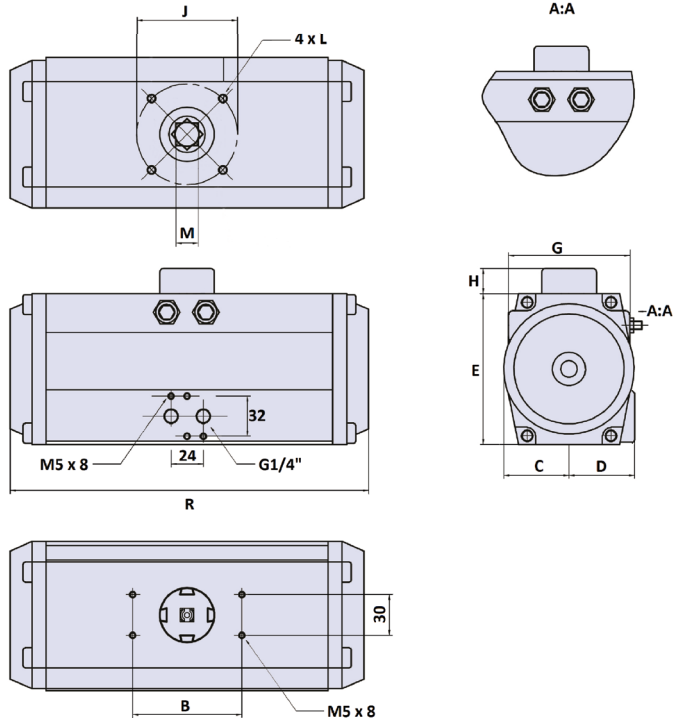


Table of dimensions

Actuator type	B	C	D	E	G	H	I	J	K	L	M x depth	R	S
APD/APS-240	130	130	130	265	245	30	-	Ø165	-	M20x25	46 x 50	602	-

Torque-table double-acting, type APD (Nm)

Actuator type	Control pressure Pst (bar)											
	2	2,5	3	3,5	4	4,5	5	5,5	6	7	8	
APD - 240	770	962	1154	1347	1539	1731	1924	2116	2309	2693	3078	

Torque-table single-acting, type APS (Nm)

Actuator type	No. springs	Pneumatic applied torque Md (Nm) at minimum control pressure Pst (bar)																					
		Md F (Nm)		2		2,5		3		3,5		4		4,5		5		5,5		6		7	
		min	max	min	max	min	max	min	max	min	max	min	max	min	max	min	max	min	max	min	max		
APS - 240	4	328	443,2	327	442	519	635																
	5	410	554	216	360	409	553	601	745														
	6	490	665			298	473	490	665	683	858												
	7	575	775					380	580	573	773	765	965										
	8	656	886							462	692	654	884	847	946								
	9	739	998									542	801	735	863	927	1186						
	10	821	1108											625	781	817	1104	1010	1297				
	11	903	1219													706	1022	899	1215	1091	1407		
	12	985	1330															788	1133	980	1325	1365	1710

Weight, air consumption, switch times: Double-acting, type APD, single-acting, type APS

Actuator type	Weight (kg)	Volume (l)	Switch time (sek.)	Ambient temperature	
				Standard	High-temp.
APD -240	67	20	17	-35 bis +80°C	-15° bis +150°C
APS -240	80	11	15		

\*Quoted switch times are guidelines for a double-stroke at 5 bar control pressure and at 50% rated loading.

With high valve actuating speeds potentially dangerous large braking forces can arise in the actuator end positions.

Tip: Throttle the exhaust air or select a larger actuator.

Ordering code

**APD - 240 / 090 - V46 - H**  
**APS - 240 / 090 - 06\* - V46 - H**  
 \* The number of springs ( 4 up to 12 pcs. ) must be matched to the control pressure beforehand.

