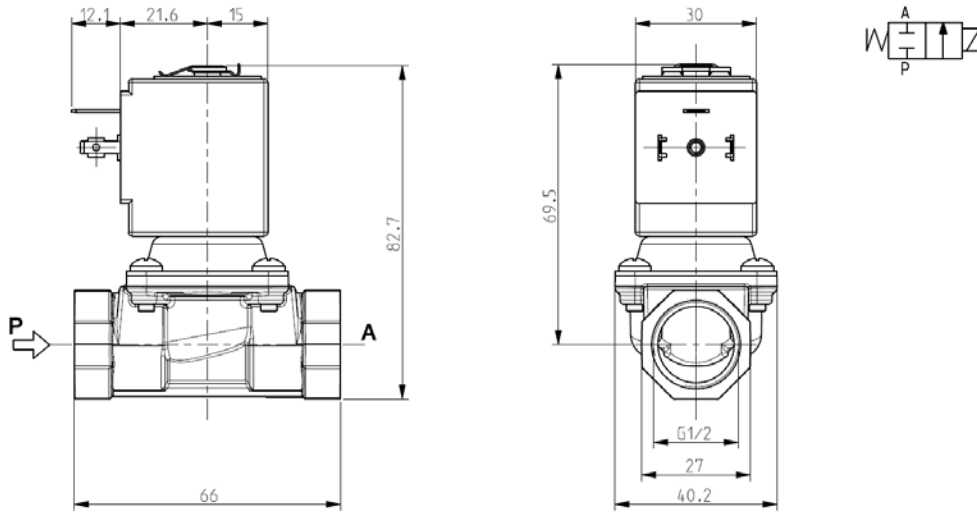




SOLENOID VALVE
2/2 - NC (Normally closed)
Direct acting
G 1/2

L113



► **GENERAL FEATURES**

Direct acting solenoid valve with full orifice, for low pressure.
 Suitable to shut off liquid and gaseous fluids (verify the compatibility of fluid with materials in contact).

► **TECHNICAL FEATURES**

Maximum allowable pressure (PS) 2 bar
Opening time ~30ms
Closing time ~30ms
Fluid temperature 0°C +130°C
Max viscosity 5°E (~37 cStokes or mm²/s)

► **MATERIALS IN CONTACT WITH FLUID**

Body Brass
Sealing FPM
Internal components Stainless steel and brass
Seat Brass
Core tube Stainless steel
Shading coil Copper

► **COIL**

Approval UL (Class F) – for UL cl. H: ZA34
Continuous duty ED 100%
Encapsulation material PPS (Polyphenilsulfure) fiberglass reinforced
Insulation class F (155°C) on request class H (180°C)
Ambient temperature -10°C +50°C
Electric connections DIN 46340 - 3 poles connectors (EN175301-803)
Protection degree IP 67 (EN 60529) with plug connector
Voltages DC 12-24V (+10% -5%)
 AC 24V/50Hz - 110V/50Hz (120V/60Hz) - 230V/50Hz (+10% -15%)
 (Other voltages and frequencies on request)

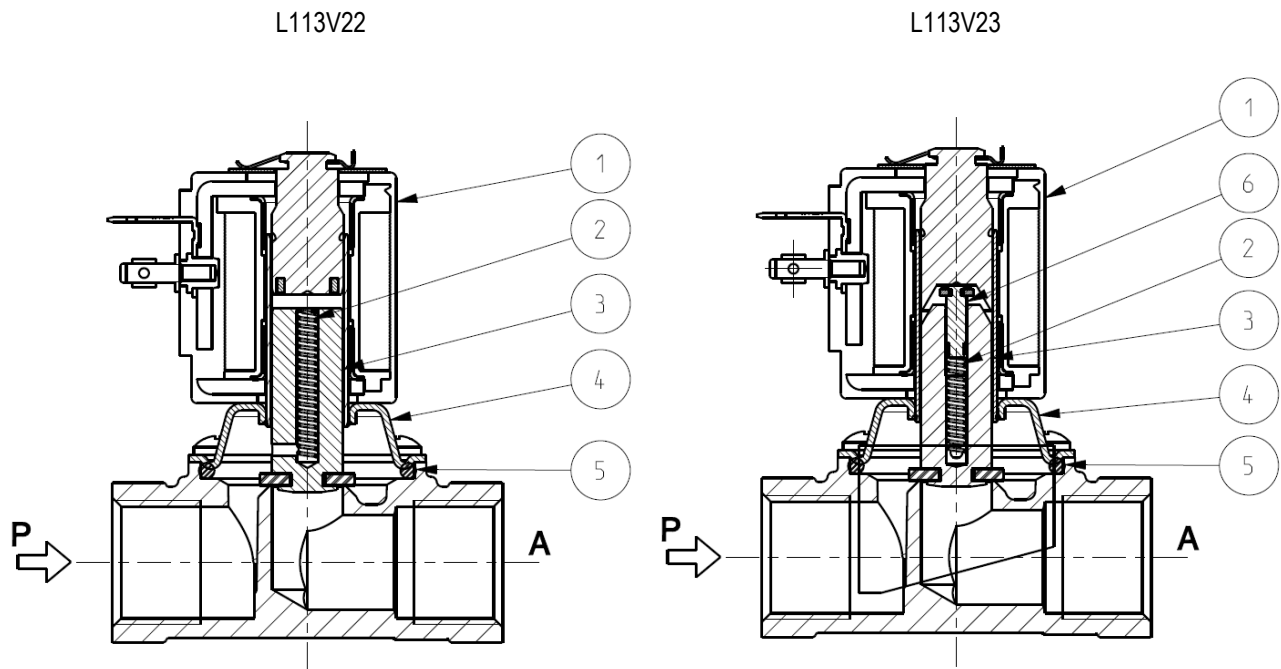
Port size ISO 228	Orifice size (mm)	Differential pressure (bar)				Kv (m ³ /h)	Series and type		Power absorption			Sealings	Function Notes	Weight (kg)	
		Δp min	Δp max				Valve	Coil	AC (VA)		DC (W)				
			Gases		Liquids				Inrush	Holding					
			AC	DC	AC										DC
G 1/2	12	0	0,30	-	0,30	-	L113V22	ZA10A	23	14	-	FPM	1	0,390	
			-	0,20	-	0,20			2	-	9				1 - 2

► **NOTES**

- Sealings : FPM = Fluoro-carbon elastomer
- UL approved coil (E153691)
- 1 - IMQ CSV approval, see ZA10 datasheet for further details
- 2 - Silent model; only for direct current (DC).

L113

► SPARE PARTS



Kit description

Core kit

L113V22
L113V23

Kit P.N.

3127802
3127902

Consisting of:

Core pos.3
Core return spring pos.2
OR guide assembly pos. 5
Pushing-pin pos. 6 (L113V23)

Guide pipe assembly kit

L113V22
L113V23

G31520
G31521

Guide pipe assembly pos. 4
Coil clip
OR guide assembly pos. 5

Coil

ZA10A

Coil pos. 1

► INSTALLATION

Solenoid valve can be mounted in any position; vertical with coil upwards preferred.

THE VALIDITY OF REPORTED DATA IS REFERRED TO THE DATE OF ISSUE. POSSIBLE UPDATES ARE AVAILABLE ON REQUEST.