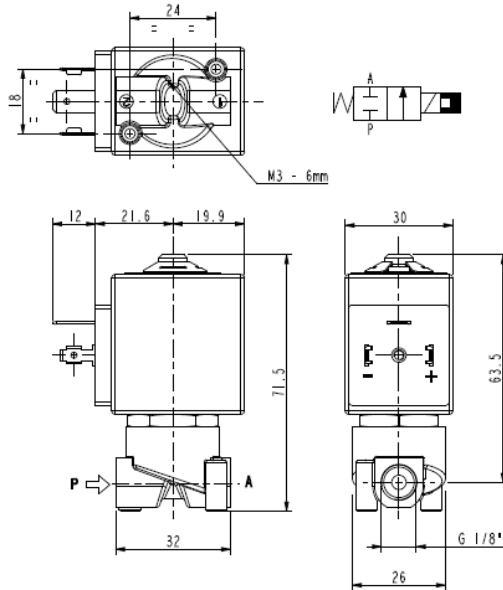




SOLENOID VALVE
2/2 – NC (Normally closed)
Direct acting
G1/8

L120V10
LATCHING MODEL



► **GENERAL FEATURES**

Direct acting solenoid valve.
 Suitable to shut off liquid and gaseous fluids (verify the compatibility of fluid with materials in contact).

► **TECHNICAL FEATURES**

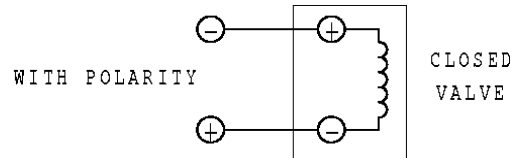
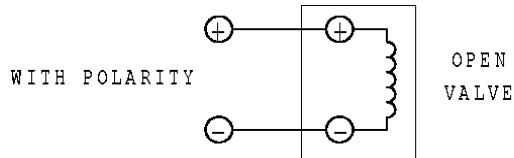
Maximum allowable pressure (PS) 20 bar
Opening time ≤ 30 ms
Closing time ≤ 30 ms
Fluid temperature -10°C +85°C
Max viscosity 5°E (37 cStokes or mm²/s)

► **MATERIALS IN CONTACT WITH FLUID**

Body Brass
Sealing FPM
Internal components Stainless steel
Seat Brass
Core tube Stainless steel

► **COIL**

Duty Latching model, polarized type. Operating by impulses
Minimum energizing time 30 ms
Encapsulation material PP-V0 (self-extinguishing polypropylene)
Insulation class A (105°C)
Ambient temperature -10°C +60°C
Electric connections DIN 46340 - 3 poles connectors (EN 175301-803)
Protection degree IP 65 (EN 60529) with plug connector
Voltages DC 6-12V (+10% -10%)
 (Other voltages on request)

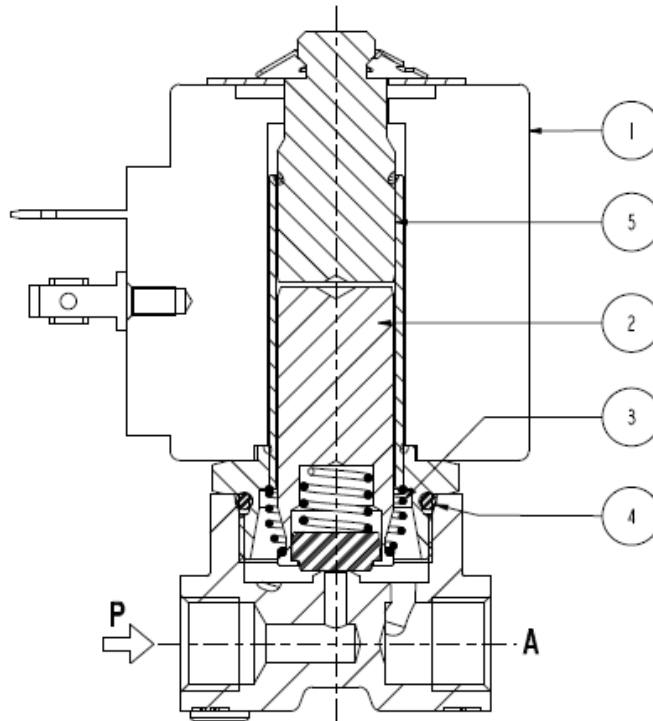


Port size	Orifice size (mm)	Differential pressure (bar)				Kv (m ³ /h)	Series and type		Power absorption			Sealings	Notes	Weight (kg)	
		Δp min	Δp max		Valve		Coil	AC (VA)		DC (W)					
			Gases					Inrush	Holding						
			AC	DC											
G1/8	2,3	0	-	9	-	9	0,15	L120V10	ZA70A	-	-	6	FPM	-	0,270

► **NOTES**

- Sealings: FPM = Fluoro-carbon elastomer (complying with FDA standards)

► SPARE PARTS



Kit description	Kit P.N.	Consisting of :
Core kit	G3022803	Core pos. 2 Core return springs pos. 3 OR guide assembly pos. 4
Core return spring kit	G3022401	N.10 Core return springs pos. 3
Guide assembly	3096301R	Guide assembly pos. 5
Coil	ZA70A	Coil pos. 1

► INSTALLATION

- Solenoid valve can be mounted in any position; vertical with coil upwards preferred.