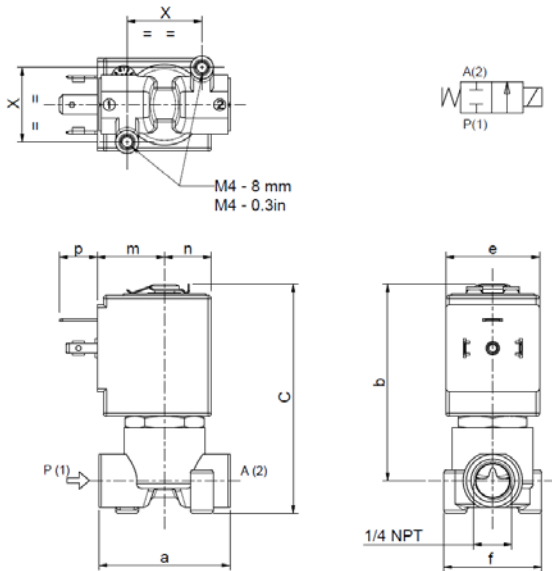




SOLENOID VALVE
2/2 - NC (Normally closed)
Direct acting
1/4 NPT

L121-NPT



	a	b	c	e	f	m	n	p	x
in	1.65	2.57	2.98	1.18	1.26	0.85	0.78	0.47	0.94
mm	42	65.2	75.7	30	32	21.6	19.9	12	24

► **GENERAL FEATURES**

Direct acting solenoid valve.
Suitable to shut off liquid and gaseous fluids (verify the compatibility of fluid with materials in contact).
Not suitable for use with dangerous fluids listed in Group 1, therefore they are free from CE marking in conformity with article 3 § 3 of the European Directive 97/23/EC (Pressure Equipment Directive).

► **TECHNICAL FEATURES**

Maximum allowable pressure (PS) 580 psi
Opening time ~20 ms
Closing time ~20 ms
Fluid temperature +14°F +194°F (NBR)
+32°F +266°F (FPM)
Max viscosity ~3.98 x 10⁻⁴ft²/sec
(~37 cStokes or mm²/s, 5°E)

► **MATERIALS IN CONTACT WITH FLUID**

Body Brass
Sealing FPM or NBR
Internal components Stainless steel
Seat Brass
Guide assembly Stainless steel
Shading ring Copper

► **COIL**

Continuous duty ED 100%
Coil impregnation Polyester resin
Encapsulation material PPS (Polyphenilsulfure) fibreglass reinforced
Coil insulation class F (311°F) – on request class H (356°F) – UL (see ZA34)
Ambient temperature +14°F +122°F
Electric connections DIN 46340 - 3 poles connectors (EN175301-803)
Protection degree IP 67 (EN 60529) with plug connector
Voltages DC 12-24V (+10% -5%)
AC 24V/50Hz - 110V/50Hz (120V/60Hz) - 230V/50Hz
(+10% -15%)
(Other voltages and frequencies on request).

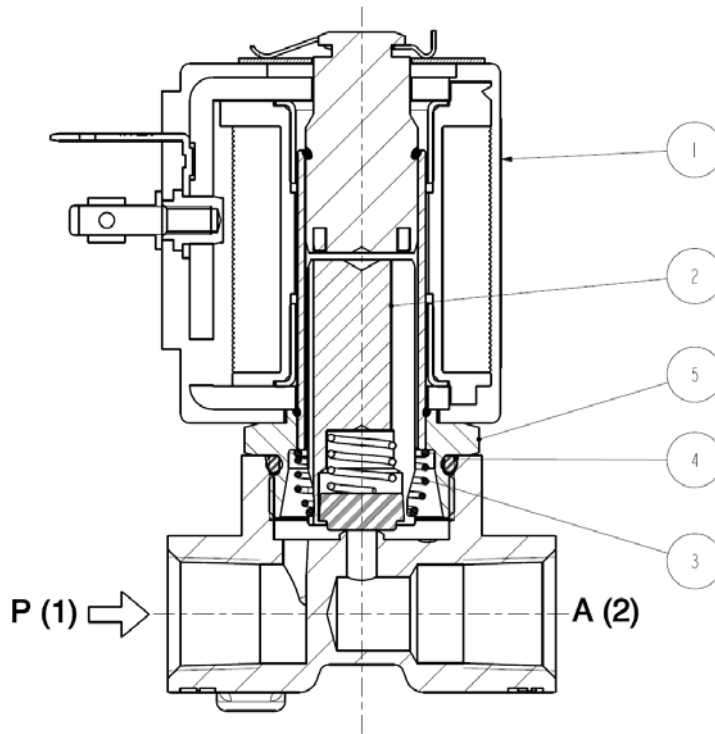
Port size NPT	Orifice size (ins.)	Pressure differential (psi)				Cv (GPM)	Series and type		Power absorption			Seals	Notes	Weight (lbs)	
		ΔP min	ΔP max				Valve	Coil	AC (VA)		DC (W)				
			Gases		Liquids				Inrush	Holding					
			AC	DC	AC										DC
1/4	1/16	0	435	435	435	435	L121B03	ZA10A	23	14	9	NBR	-	0.64	
			L121V03	FPM											
	290		232	290	232	L121B03	NBR								
	L121V03		FPM												
	174		58	174	58	L121B03	NBR								
	L121V03		FPM												
	-		101	-	101	L121B03	NBR	-	-	12	NBR				
	L121V03		FPM												
	87		29	87	29	L121V03	ZA10A	23	14	9	FPM				
	-		43,5	-	43,5	L121V03	ZA10G	-	-	12	FPM				

► **NOTES**

- Sealings : FPM = Fluoro-carbon elastomer NBR = Nitril-butylene elastomer
- IMQ CSV approval, see ZA10 datasheet for further details

L121-NPT

► SPARE PARTS



Kit description		Kit P.N.	Consisting of:
Core kit	L121B03 L121V03	G3022804 G3022803	Core with core return spring pos. 2 OR guide assembly pos. 4
Core return spring kit		G3022401	N.10 core return spring pos. 3
OR guide assembly kit	L121B03 L121V03	GU2421000017 GU2424000017	N.10 OR guide assembly pos. 4
Guide pipe assembly kit		G31486	Guide pipe assembly pos. 5 Coil clip
Coil		ZA10A ZA10G	Coil pos. 1

► MOUNTING

Solenoid valve can be mounted in any position; vertical with coil upwards preferred.

THE VALIDITY OF REPORTED DATA IS REFERRED TO THE DATE OF ISSUE. POSSIBLE UPDATES ARE AVAILABLE ON REQUEST.