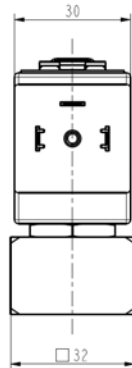
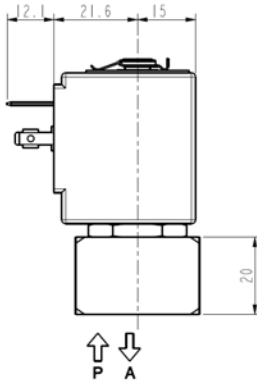
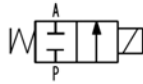
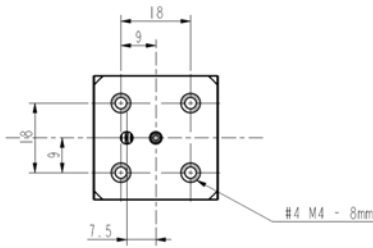




**SOLENOID VALVE**  
**2/2 - NC (Normally closed)**  
**Direct acting**  
**Sub-base mounting**

**L122**



► **GENERAL FEATURES**

Direct acting solenoid valve, designed for sub-base mounting or directly on the equipment.  
 Inlet and outlet ports placed asymmetrically at the bottom of the body.  
 Suitable to shut off liquid and gaseous fluids; (verify the compatibility of fluid with materials in contact).

► **TECHNICAL FEATURES**

Maximum allowable pressure (PS) 40 bar  
 Opening time ~ 30ms  
 Closing time ~ 30ms  
 Fluid temperature 0°C +130°C (FPM)  
 -10°C +170°C (stainless steel)  
 Max viscosity 5°E (37 cStokes or mm<sup>2</sup>/s)

► **MATERIALS IN CONTACT WITH FLUID**

Body Brass  
 Sealing FPM or stainless steel  
 Internal components Stainless steel  
 Seat Brass or stainless steel  
 Guide assembly Stainless steel  
 Shading ring Copper

► **COIL**

Approval UL (class F) – for UL cl.H: ZA34  
 ED 100%  
 Encapsulation material PPS (Polyphenylsulfure) glass fibre reinforced  
 Coil insulation class F (155°C) on request class H (180°C)  
 Ambient temperature -10°C +50°C  
 Electric connections DIN 46340 - 3 poles connectors (EN175301-803)  
 Protection degree IP 67 (EN 60529) with plug connector  
 Voltages DC 12-24V (+10% -5%)  
 AC 24V/50Hz - 110V/50Hz (120V/60Hz) - 230V/50Hz (+10% -15%)  
 (Other voltages and frequencies on request)

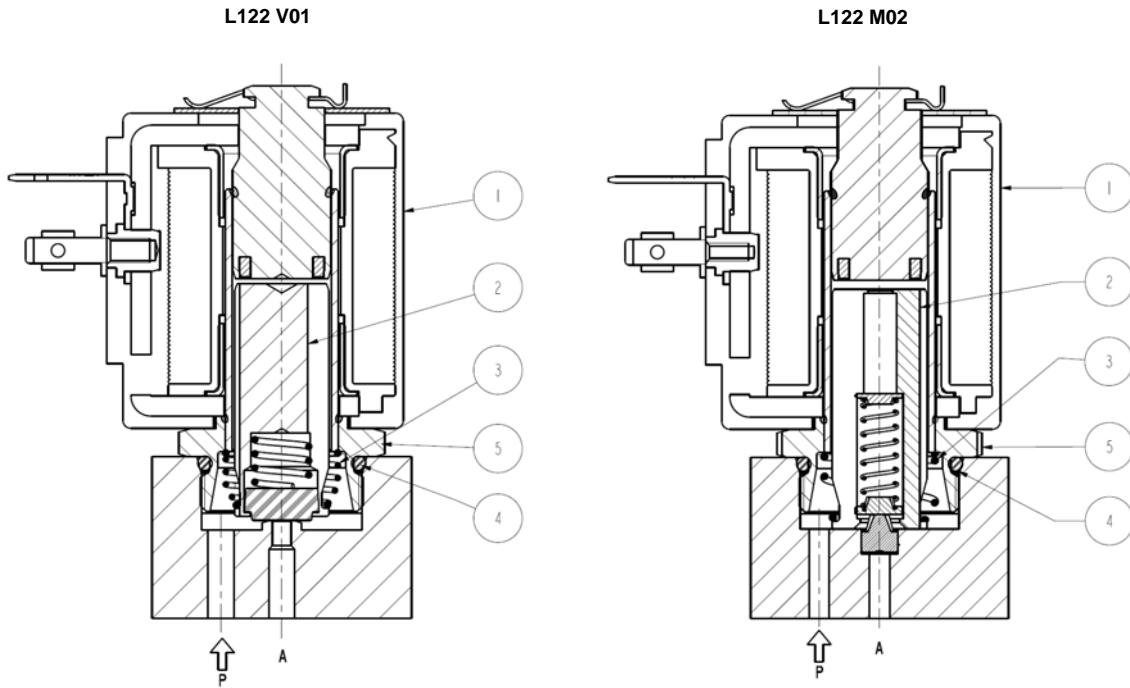
Port size	Orifice size (mm)	Differential pressure (bar)						Kv (m <sup>3</sup> /h)	Series and type		Power absorption			Sealings	Notes	Weight (kg)
		Δp min	Δp max				Valve		Coil	AC (VA)		DC (W)				
			Gases		Liquids					Inrush	Holding					
			AC	DC	AC	DC										
-	1,6	0	-	-	30	-	0,1	L122M02	ZA10A	23	14	9	Stainless steel	1	0,320	
	2,3		20	16	20	16	0,15	L122V01					FPM	-		

► **NOTES**

- Sealings : FPM = Fluoro-carbon elastomer
- IMQ CSV approval, see ZA10 datasheet for further details
- UL approved coil (E153691)
- 1 – Model with stainless steel seat.

# L122

## ► SPARE PARTS



### Kit description

Core kit | L122V01  
L122M02

Core return spring kit | L122V01  
L122M02

OR guide assembly kit

Coil

### Kit P.N.

G3022803  
G3068401

G3022401  
G3018901

GU2424000017

ZA10A

### Consisting of:

Core pos. 2

N°. 10 core return spring pos. 3

N.10 OR guide assembly pos. 4

Coil pos. 1

## ► MOUNTING

Solenoid valve can be mounted in any position; vertical with coil upwards preferred.

THE VALIDITY OF REPORTED DATA IS REFERRED TO THE DATE OF ISSUE. POSSIBLE UPDATES ARE AVAILABLE ON REQUEST.