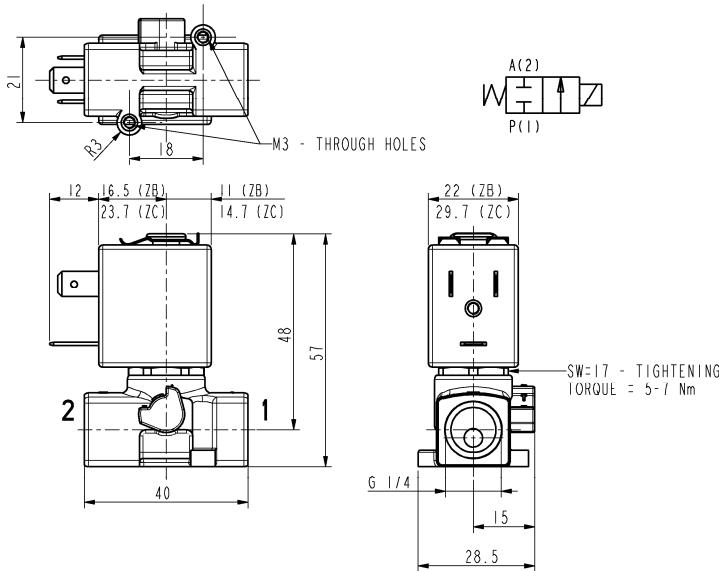




SOLENOID VALVE
2/2- NC (Normally closed)
Direct acting
G 1/4

L176
STAINLESS STEEL



► **GENERAL FEATURES**

Direct acting solenoid valve.
 Suitable to shut off liquid and gaseous fluids (verify the compatibility of fluid with material in contact).

► **TECHNICAL FEATURES**

Maximum allowable pressure (PS) 50bar
 Opening time ~10ms
 Closing time ~10ms
 Fluid temperature -10°C +130°C
 Max viscosity 5°E (~37 cStokes or mm²/s)

► **MATERIALS IN CONTACT WITH FLUID**

Body Stainless steel AISI 316L
 Sealing FPM
 Internal components Stainless steel
 Seat Stainless steel AISI 316L
 Core tube Stainless steel
 Shading coil Copper

► **COIL**

According to standards
 Encapsulation material
 Insulation class
 Ambient temperature
 Continuous duty
 Electric connection
 Protection degree
 Voltages DC
 AC

ZB12A ZC12A	ZB14A ZC14A
▲ UL and CSA	
PET fiberglass reinforced	
F (155°C)	H (180°C)
-10°C +60°C	-10°C +75°C
ED 100%	
DIN 46340-3 poles plug connector (EN175301-803 for ZC)	
IP 67 (EN 60529) with plug connector	
12-24V (+10% -5%)	
24V/50-60Hz - 115V/50Hz - 230V/50-60Hz (+10% -15%)	
(Other voltages and frequencies on request).	

▲ : approval valid for ZB12A – ZB14A only

Port size ISO 228	Orifice size (mm)	Differential pressure (bar)				Kv (m ³ /h)	Series and type		Power absorption				Sealings	Notes	Weight (kg)
		Δp max					Valve	Coil	AC (VA)			DC			
		Gases		Liquids					Inrush	Holding					
Δp min	AC	DC	AC	DC	VA	VA	W	W							
G1/4	1,6	0	20	12	20	12	L176V07	ZB12A	12	6	4	5,5	FPM	1 - 2	0,160
	2,4		12	4	12	4			12	6	3,5	5,5			
	1,6		20	15	20	15			10	6	3,5	5,5			
	2,4		15	8	15	8			10	6	3,5	5,5			

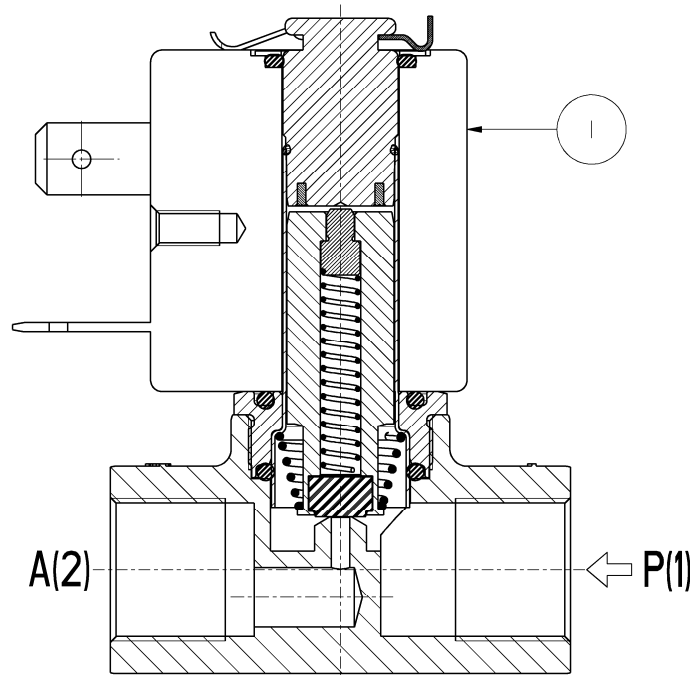
► **NOTES**

- Sealings: FPM = Fluoro-carbon elastomer
- On request: - coil in class H (ZB14A – ZC14A see § “COIL”)
- 1 - On request version with manual override: L176V05
- 2 - ZB12A - ZB14A – ZC12A and ZC14A coils fitted with sealing gaskets underneath and on the upper part (see sectional view on the back)

L176

STAINLESS STEEL

► SPARE PARTS



Kit description

Coil

Kit P.N.

ZB12A
ZB14A
ZC12A
ZC14A

Consisting of:

Coil pos.1

► INSTALLATION

- Solenoid valve can be mounted in any position; vertical with coil upwards preferred.

THE VALIDITY OF REPORTED DATA IS REFERRED TO THE DATE OF ISSUE. POSSIBLE UPDATES ARE AVAILABLE ON REQUEST