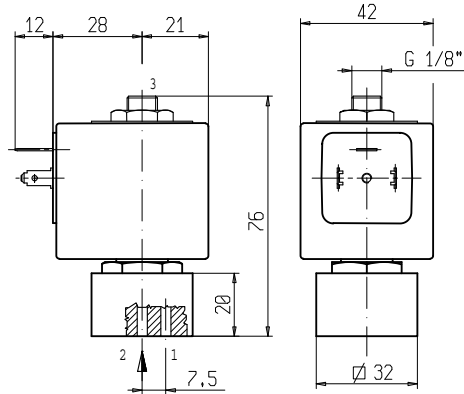
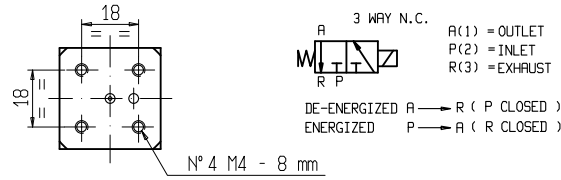




SOLENOID VALVE
3/2 - NC (Normally closed)
Direct acting

L338



► **GENERAL FEATURES**

Direct acting solenoid valve.
 Suitable to shut off liquid fluids, particularly indicated for hydraulic oils (verify the compatibility of fluid with materials in contact).

► **TECHNICAL FEATURES**

Maximum allowable pressure (PS) 40 bar
 Opening time ~25ms
 Closing time ~25ms
 Fluid temperature -10°C +130°C
 Max viscosity 5°E (~37 cStokes or mm²/s)

► **MATERIALS IN CONTACT WITH FLUID**

Body Brass
 Sealing Stainless steel
 Internal components Stainless steel
 Seat Stainless steel
 Core tube Stainless steel
 Shading coil Copper

► **COIL**

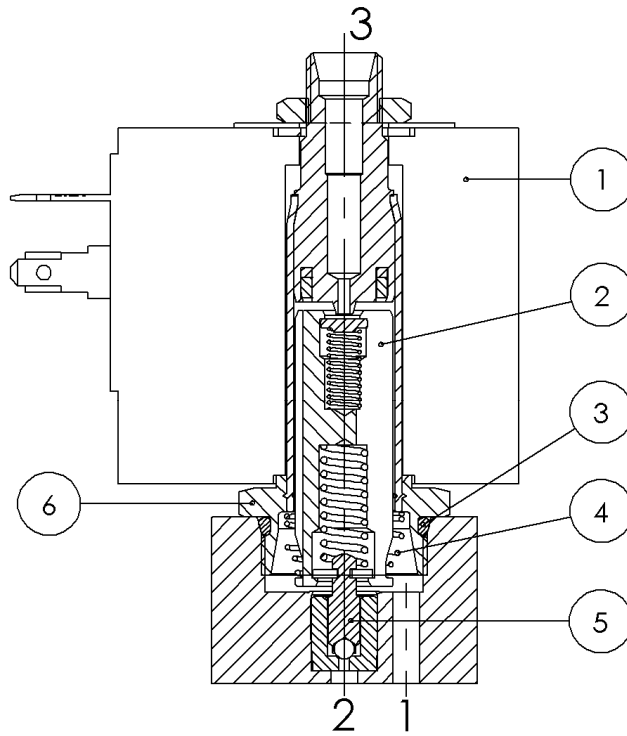
Continuous duty ED 100%
 Encapsulation material PET (polyethylene terephthalate) fiberglass reinforced
 Insulation class F (140°C)
 Ambient temperature -10°C +60°C
 Electric connections DIN 46340 - 3 poles connectors (DIN 43650)
 Protection degree IP 65 (EN 60529) with plug connector
 Voltages DC 12-24V (+10% -5%)
 AC 24V/50Hz - 110V/50Hz (120V/60Hz) - 230V/50Hz (+10% -15%)
 (Other voltages and frequencies on request)

Port size	Orifice size (mm)	Differential pressure (bar)				Kv (m ³ /h)	Series and type		Power absorption			Sealings	Notes	Weight (kg)	
		Δp min	Δp max				Valve	Coil	AC (VA)		DC (W)				
			Gases		Liquids				Inrush	Holding					
			AC	DC	AC										DC
-	1,3	0	-	-	30	30	0,04	L338M20C	Z130A	44	24	13	Stainless steel	1	0,500

► **NOTES**

- Sealings : Stainless steel
 - Upper exhaust (3) with orifice diameter 1,5 mm.
 1 - Gasket between core armature and body in FPM

► SPARE PARTS



Kit description

Kit P.N.

Consisting of:

Push-rod core kit

G3114901

Core pos. 2
Push-rod group pos. 5
Core return spring pos. 4

Core return spring kit

G3107401

N.10 core return spring pos. 4

OR guide assembly kit

GU2424000017

N.10 OR guide assembly pos. 3

Guide assembly

3107301R

Guide assembly pos. 6

Coil

Z130A

Coil pos. 1

► INSTALLATION

Solenoid valve can be mounted in any position; vertical with coil upwards preferred.