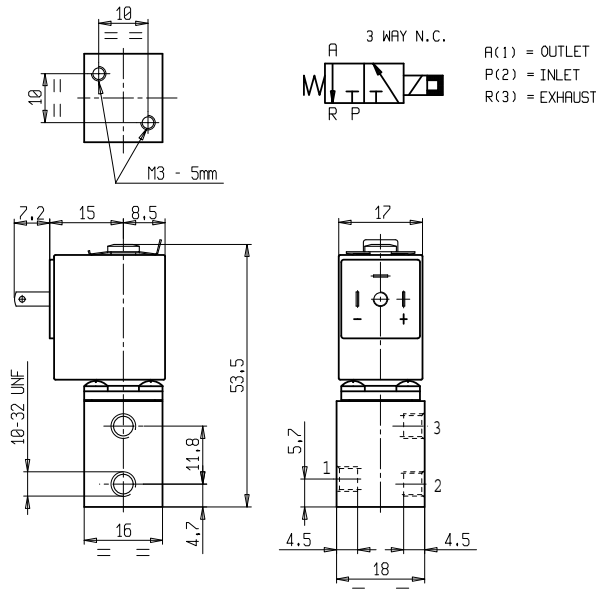




MICRO SOLENOID VALVE
2/2 - NC (Normally closed)
Direct acting
10-32 UNF

V365V07C
LATCHING MODEL



► GENERAL FEATURES

Direct acting micro solenoid valve; minimum overall dimensions.
 Quick response time and high number of cycles.
 Suitable to shut off liquid and gaseous fluids (verify the compatibility of fluid with materials in contact).

► TECHNICAL FEATURES

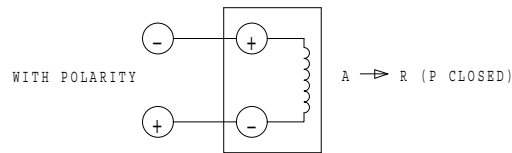
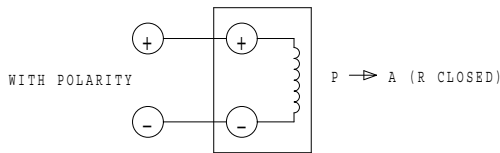
Maximum allowable pressure (PS) 16 bar
Opening time from ~5ms to ~10ms
Closing time from ~5ms to ~10ms
Fluid temperature 0°C +90°C
Max viscosity 3°E (~22 cStokes or mm²/s)

► MATERIALS IN CONTACT WITH FLUID

Body Brass
Sealing FPM
Internal components Brass, PEI (Polyetherimide) and stainless steel.
Seat 2 → 1: Brass - 1 → 3: PEI
Core tube Brass
Shading ring Copper

► COIL

Duty Latching model, polarized type, operating by impulses
Minimum energizing time 20ms
Encapsulation material PP-V0 (self-extinguishing polypropylene)
Insulation class A (105°C)
Ambient temperature -10°C +60°C
Electric connections DIN 46340 - 3 poles micro plug connectors
Protection degree IP 65 (EN 60529) with micro plug connector
Voltages DC 6-12V (+10% -10%)
 (Other voltages on request)



Port size ANSI B1.1	Orifice size (mm)	Differential pressure (bar)				Kv (m ³ /h)	Series and type		Power absorption			Sealings	Notes	Weight (kg)	
		Δp min	Δp max				Valve	Coil	AC. (VA)		DC. (W)				
			Gases		Liquids				Inrush	Holding					
			AC	DC	AC										DC
10-32 UNF	2	0	-	2,5	-	2,5	0,08	V365V07C	Z070A	-	-	3	FPM	-	0,090

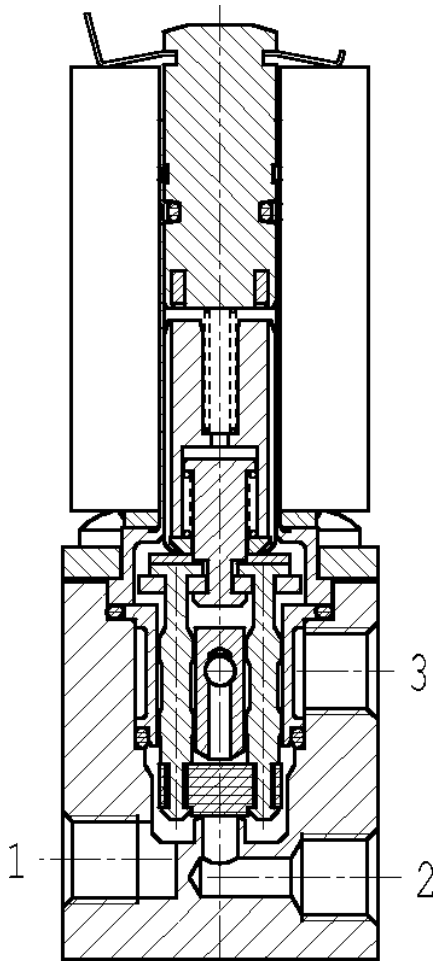
► NOTES

- These micro-solenoid valves are not suitable for stagnating media subject to vaporization which deposit solid, calcareous, incrusting residues or similar.
 - Seal: FPM = Fluoro-carbon elastomer

V365V07C

LATCHING MODEL

► SECTIONAL VIEW



► MOUNTING

Solenoid valve can be mounted in any position; vertical with coil upwards preferred.

THE VALIDITY OF REPORTED DATA IS REFERRED TO THE DATE OF ISSUE. POSSIBLE UPDATES ARE AVAILABLE ON REQUEST.