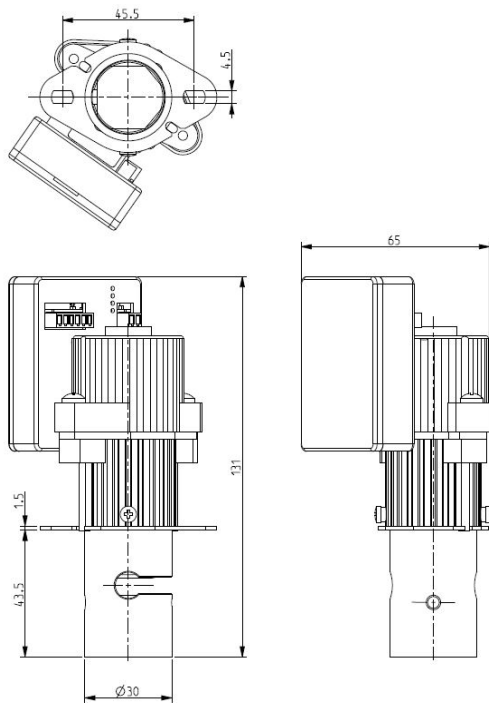




STEPPER MOTOR PINCH VALVE 2-WAY ON - OFF

S170XA01X1900VU



► GENERAL FEATURES

Stepper motor pinch valve, suitable to shut off media without producing neither turbulent flows, nor dead spaces. Particularly suitable for most of the analytical, medical and food applications. The "OPEN" and "CLOSE" positions of the valve will be set as indicated in the section "OPERATING INSTRUCTIONS". The system allows a bi-directional through flow and a high flow rate. The valve is suitable for elastic tubings with hardness up to 90 Shore A. **The tubing (not included in our supply) is the only material in contact with the fluid.**

► MATERIALS

<i>Body</i>	Anodized aluminium
<i>Pinching device</i>	POM (reinforced acetal copolymer)
<i>Engine cover</i>	PA (Polyamide)
<i>Board cover</i>	PA (Polyamide)

► ELECTRIC FEATURES

<i>Power supply</i>	[12÷24] V
<i>Continuous duty</i>	ED 100%
<i>Minimum step</i>	0.033mm/step
<i>Insulation class</i>	B (130°C)
<i>Ambient temperature</i>	-10°C +60°C
<i>Electric connection</i>	Molex pitch 2.54mm 6 pin Molex pitch 2.54mm 2 pin
<i>Protection degree</i>	IP 40 (EN 60529)

► LED INDICATIONS

<i>Red</i>	Alarm / Malfunction
<i>Yellow</i>	Valve closed
<i>Green</i>	Valve open
<i>Blue</i>	Programming mode

TUBINGS*		Pinching strength (N)	Opening/closing speed (mm/s)	Series and type	Power absorption (W)	Notes	Weight (kg)
Orifice size (mm)	MAX O.D. (mm)			Valve	In operation		
6,4	9,5	up to 80	3,33	S170XA01X1900VU	9	-	0.25

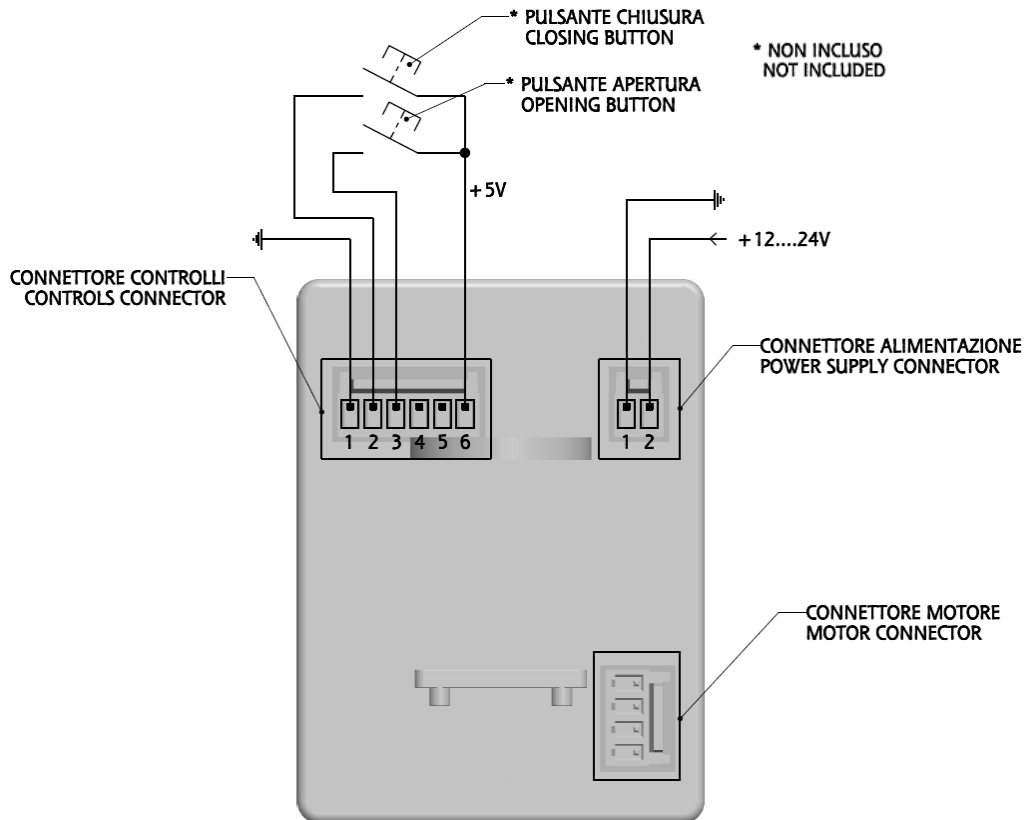
► NOTES

- * For use with different tubings, the min/max opening of the pinching device can be modified as indicated in the Maintenance Instructions. As an alternative, it is also possible to order the valves already programmed, with the desired strokes.
- Some data, e.g. actuating time and power absorption, are directly depending on the electronic control and can vary accordingly
- Valve position fixed on loss of power. "Fail Saving" function available on demand.

THE VALIDITY OF REPORTED DATA IS REFERRED TO THE DATE OF ISSUE. POSSIBLE UPDATES ARE AVAILABLE ON REQUEST

S170XA01X1900VU

► CONNECTION



► OPERATING INSTRUCTIONS

When power is supplied, the valve will reset (red and green LEDs on) and will automatically move to OPEN position (red LED off).

1. Insert the tube in the respective slot

The valve is now operational and by providing the opening or closing pulse (minimum 10ms), the valve will act accordingly.

LED signals meaning:

- Green LED on -> Valve open
- Yellow LED on -> Valve closed

Note:

Valve position fixed on loss of power.

When the power will be restored, the valve will reset (red and green LEDs on) and will automatically move to OPEN position (red LED off).