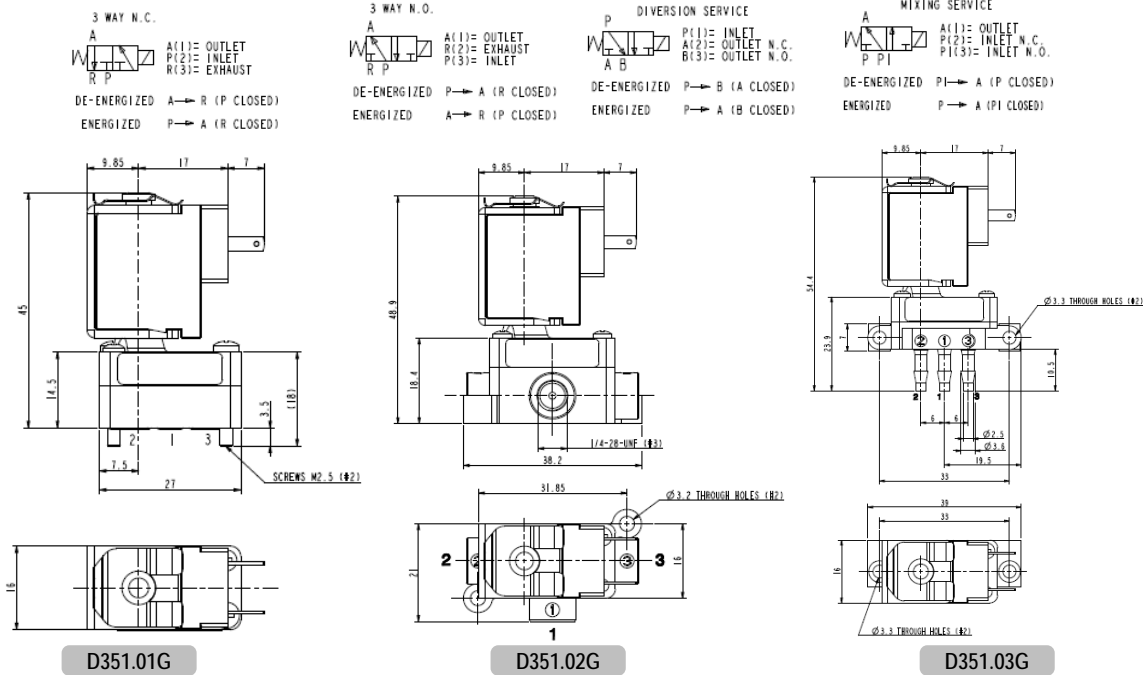




**MICRO SOLENOID VALVE - DRY**  
**3/2 - UF (Universal function)**  
**Direct acting - Total isolation**  
**Sub-base – ¼-28 UNF – Barbed ports**

**D351**



► **GENERAL FEATURES**

Total isolation micro solenoid valve: the actuator is totally isolated from the fluid so that the wetted parts are just the body and the diaphragm.

Reduced internal volume: 67µl. Possibility of disassembling for inspection. The parts subject to sliding friction are duly coated by PTFE (polytetrafluoroethylene) based self lubricating material. Suitable to shut off liquid and gaseous fluids (verify the compatibility of fluid with materials in contact).

► **TECHNICAL FEATURES**

*Maximum allowable pressure (PS)* 3 bar  
*Opening time* ~20ms  
 ~30ms (EPDM)  
 ~60ms (FPM)  
 ~90ms (FFPM)  
*Closing time*  
*Fluid temperature* -10°C +80°C  
*Max viscosity* 5°E (~37 cStokes or mm<sup>2</sup>/s)

► **MATERIALS IN CONTACT WITH FLUID**

*Body* PEEK (Polyketones)  
*Sealing* EPDM or FPM or FFPM

► **COIL**

*Continuous duty* ED 100%  
*Encapsulation material* PA (polyamide) fiberglass reinforced  
*Yoke* External in zinc plated steel  
*Insulation class* F (155°C)  
*Ambient temperature* -10°C +60 °C  
*Electric connections* DIN 46340 with micro plug connector  
*Protection degree* IP 65 (EN 60529) with micro plug connector  
*Voltages DC* 12-24V (+10% -5%)  
 (Other voltages on request)

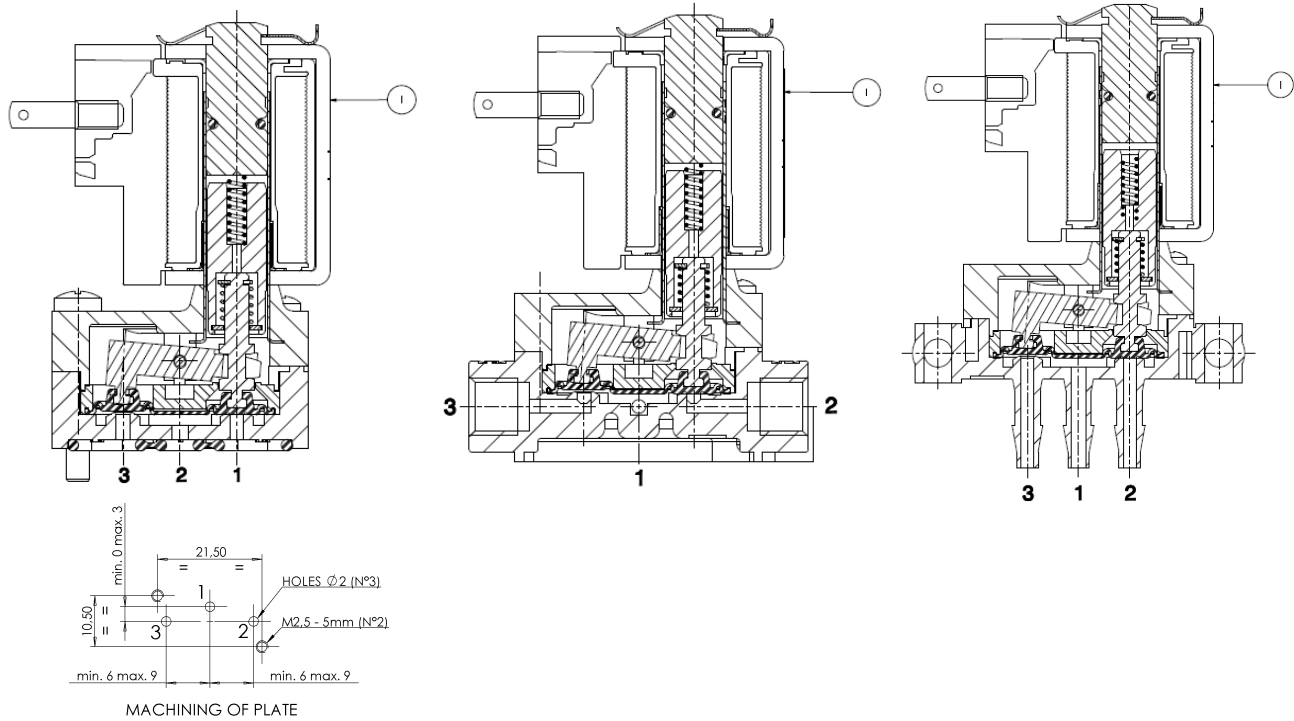
Port size	Orifice size (mm)	Differential pressure (bar)				Kv (m <sup>3</sup> /h)	Series and type		Power absorption			Sealings	Notes	Weight (kg)				
		Δp min	Δp max		Valve		Coil	AC (VA)		DC (W)								
			Gases	Liquids				Inrush	Holding									
			AC	DC	AC	DC												
Sub-base	1,5	0	-	2,4	-	2,4	0,03	D351D01G D351V01G D351Z01G	ZE30A	-	-	4	EPDM	1	0,040			
													FPM					
													FFPM					
¼-28 UNF													D351D02G D351V02G D351Z02G			EPDM	-	0,043
																FPM		
																FFPM		
Barbed ports	D351D03G D351V03G D351Z03G	EPDM	-	0,040														
		FPM																
		FFPM																

► **NOTES**

- Sealings: EPDM = Ethylene-propylene elastomer FPM = Fluoro-carbon elastomer FFPM = Perfluorate elastomer  
 - For use in vacuum applications, ask for details.  
 1 - Model available on request only: ask for minimum quantity.

# D351

## ► SPARE PARTS



## Kit description

Coil

## Kit P.N.

ZE30A

## Consisting of:

Coil pos. 1

## ► MOUNTING

- Solenoid valve can be mounted in any position.
- Valves delivered with sealing O-rings.
- M2,5 screws for sub-base mountings have to be tightened at torque between 0,8 and 1,2 Nm.

THE VALIDITY OF REPORTED DATA IS REFERRED TO THE DATE OF ISSUE. POSSIBLE UPDATES ARE AVAILABLE ON REQUEST.