



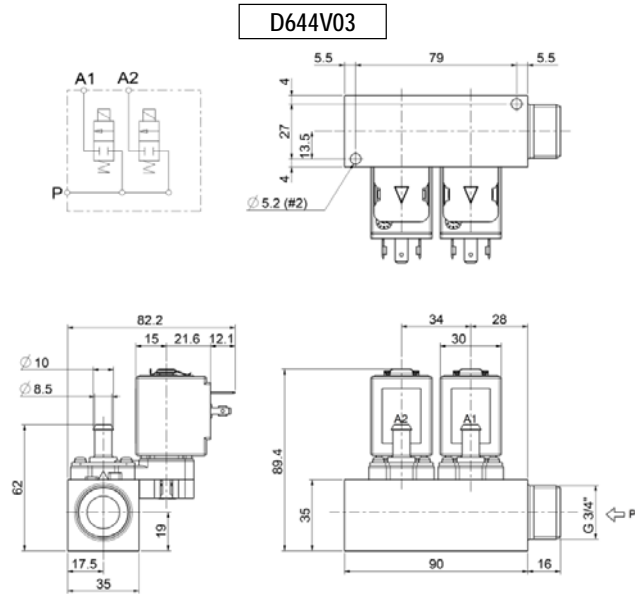
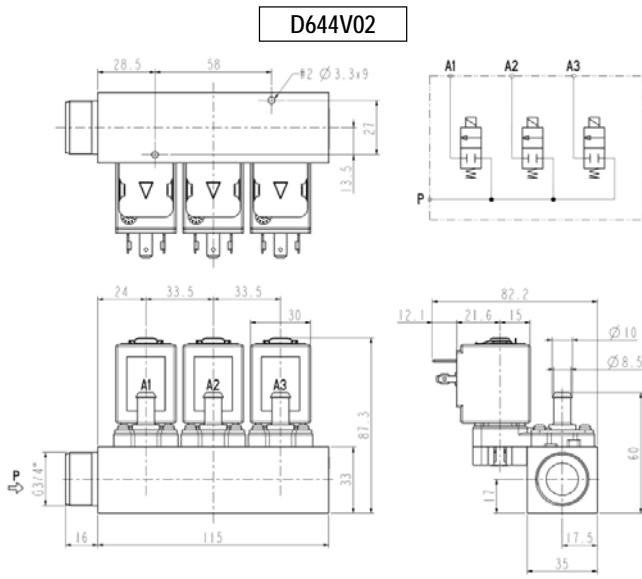
# MANIFOLD WITH 2 or 3 SOLENOID VALVES - DRY

2/2 - NC (Normally closed)

Direct acting - Total isolation

G 3/4 - Barbed ports

# D644



### ► GENERAL FEATURES

Total isolation manifold with 2 or 3 direct acting solenoid valves.  
 Possibility of disassembling for inspection.  
 Core duly coated by PTFE (polytetrafluoroethylene) based self lubricating material.  
 Suitable to shut off liquid and gaseous fluids (verify the compatibility of fluid with materials in contact).

### ► TECHNICAL FEATURES

*Maximum allowable pressure (PS)* 6 bar  
*Opening time* ~ 25ms  
*Closing time* ~ 25ms  
*Fluid temperature* -10°C +100°C  
*Max viscosity* 5°E (~37 cStokes or mm<sup>2</sup>/s)

### ► MATERIALS IN CONTACT WITH FLUID

*Valve body* PEI (Polyetherimide)  
*Sealing* FPM  
*Manifold* POM (Reinforced acetal copolymer)

### ► COIL

*Approval*  
*Continuous duty*  
*Encapsulation material*  
*Coil insulation class*  
*Ambient temperature*  
*Electric connections*  
*Protection degree*

	ZA10A	ZA32A
<i>Approval</i>	UL (class F) – for UL cl.H: ZA34	
<i>Continuous duty</i>	ED 100%	
<i>Encapsulation material</i>	PPS (Polyphenilsulfure) fiberglass reinforced	PET (polyethylene terephthalate) fiberglass reinforced
<i>Coil insulation class</i>	F (155°C)	
<i>Ambient temperature</i>	-10°C +50°C	
<i>Electric connections</i>	DIN 46340 – 3 poles connector (EN175301-803)	
<i>Protection degree</i>	IP 67 (EN 60529) with plug connector	IP 65 (EN 60529) with plug connector
<i>Voltagess</i> DC	12-24V (+10% -5%)	-
AC	24V/50Hz - 110V/50Hz (120V/60Hz) - 230V/50Hz (+10% -15%)	24V/50-60Hz (+10% -15%)

(Other voltages and frequencies on request)

Port size	Orifice size (mm)	Differential pressure (bar)				Kv ▲ (m <sup>3</sup> /h)	N° of Solenoid valves	Series and type		Power absorption ■		Sealings	Notes	Weight (kg)	
		Δp max						Valve	Coil	AC (VA)					DC (W)
		Gases		Liquids						Inrush	Holding				
P: G 3/4 A: Barbed ports	5,5	Δp min	0	3	3	0,55	2	D644V03	ZA10A ZA32A			23	14	9 -	FPM
							3	D644V02	ZA10A ZA32A			9 -		1 2	0,880

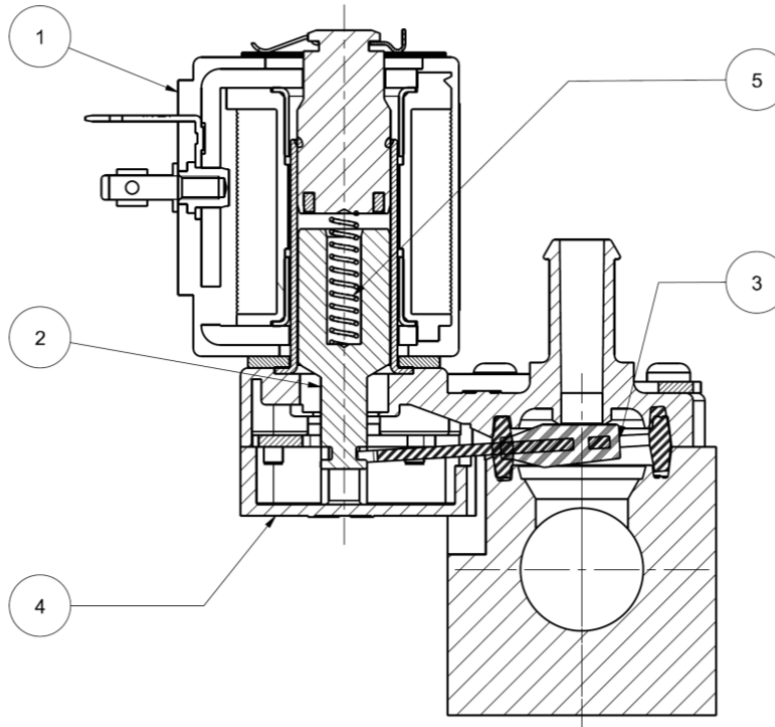
▲ - Value referred to each single solenoid valve. ■ - Power absorption of a single coil.

### ► NOTES

- Sealings : FPM = Fluoro-carbon elastomer  
 - UL approved coil (E153691)  
 1 - IMQ CSV approval, see ZA10 datasheet for further details  
 2 - Δp max is 2 bar, while using coil ZA32A at 60Hz.

# D644

## ► SPARE PARTS



### Kit description

Core kit

### Kit P.N.

G3136701

### Consisting of:

Core pos.2  
Core return spring pos.5

Lever seal

2977702R

Lever seal pos.3

Cover

3119801R

Cover pos.4

Coil

ZA10A  
ZA32A

Coil pos. 1

## ► INSTALLATION

- Manifold can be mounted in any position.

THE VALIDITY OF REPORTED DATA IS REFERRED TO THE DATE OF ISSUE. POSSIBLE UPDATES ARE AVAILABLE ON REQUEST.